

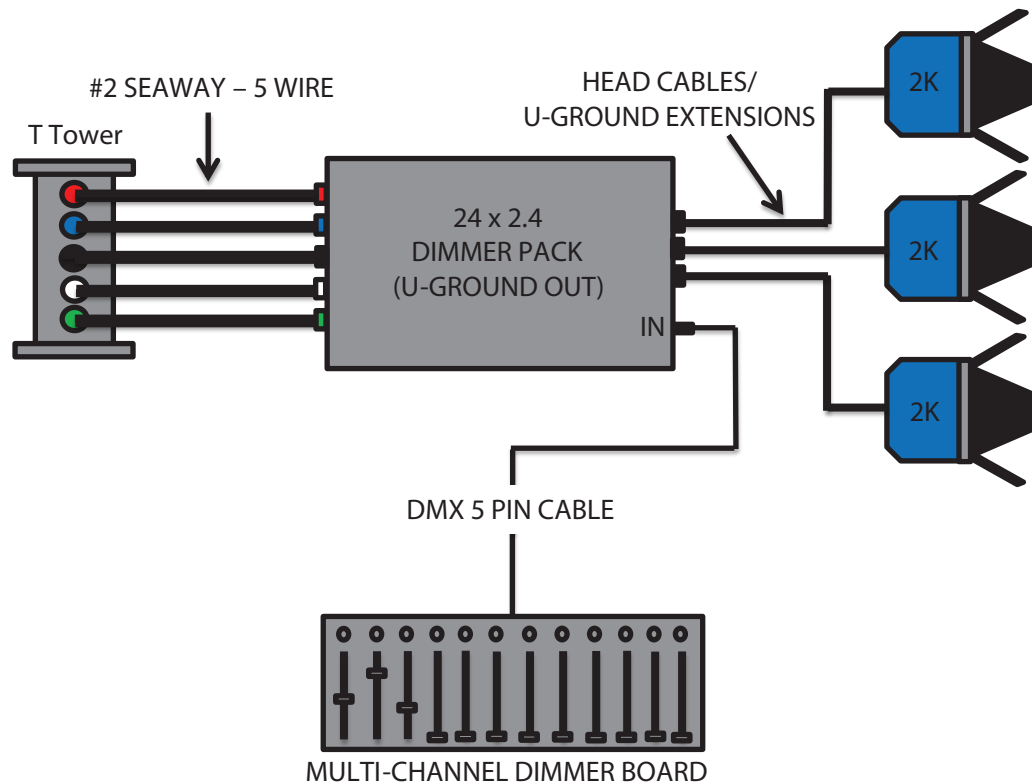


Dimming System Set-up

DIMMING AND CONTROL SYSTEMS

DIMMING SYSTEM SET-UP

- For many years, in the entertainment industry, dimming systems were the main piece of equipment required to be controlled remotely. Now there are many different pieces of equipment including large dimmer racks, small individual fixtures, colour correct fluorescent fixtures etc., that are required to be controlled remotely by using the DMX 512 control protocol
- Great care must be taken to understand your distribution system and components, and how those components are powered and controlled and/or dimmed.
- Regular incandescent loads can be controlled by plugging them directly into an AMX or a DMX controlled dimming systems. Other equipment, such as HMI ballasts, need the appropriate line voltage (120 v, 208 v, etc.) to work correctly. The DMX signal controls the internal electronics to adjust the equipment's working parameters.
- DMX control: DMX controllers come in many configurations from small hand-held controllers, to multi-fader "manual" boards, to "large memory" boards that can control large set-ups including equipment that requires multiple control channels such as moving lights.



Partners in Production®

VANCOUVER

CALGARY

WINNIPEG

TORONTO

SUDBURY

HALIFAX