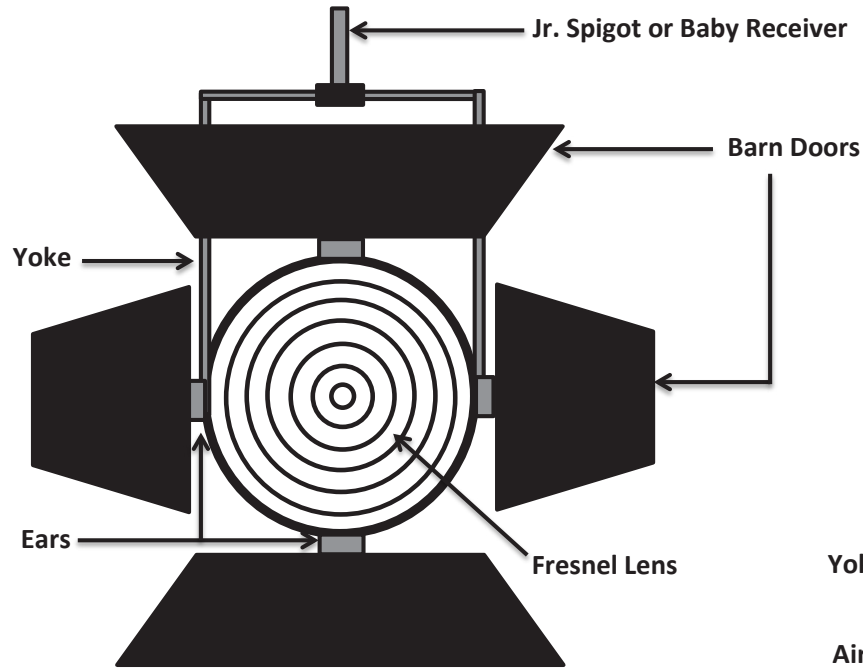


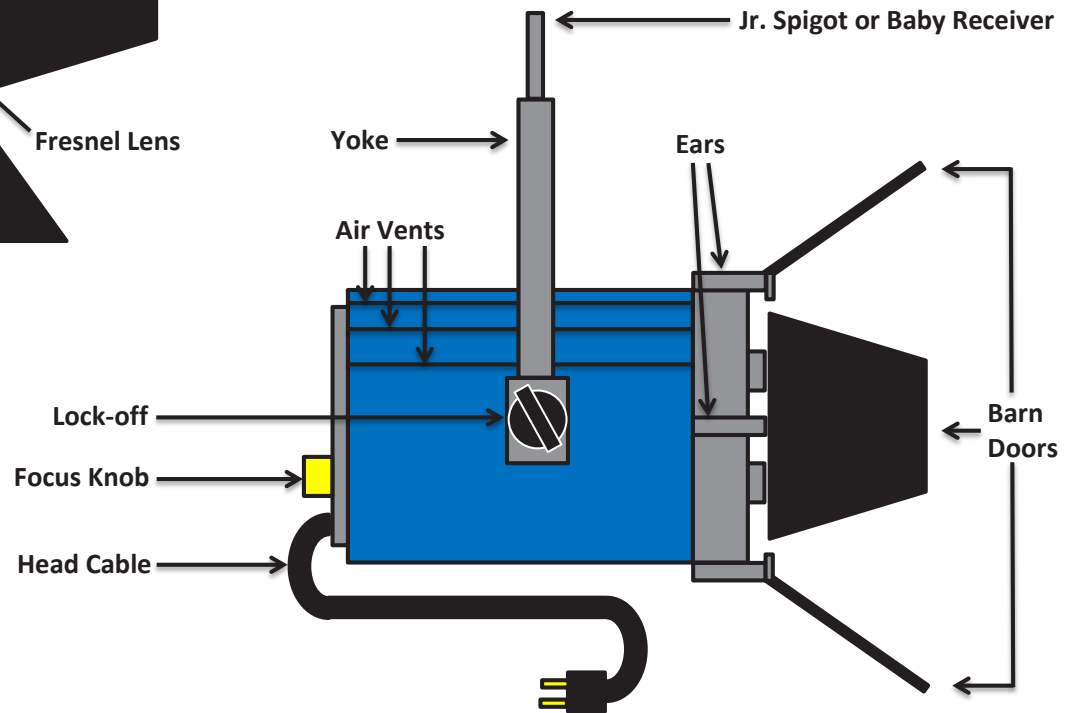


Anatomy of a Lighting Fixture

LIGHTING



Electronic components are usually stored in the bottom portion of the head. This allows for heat to dissipate without damaging the electronics.



Partners in Production®